

THIS DRAWING IS UNPUBLISHED. RELEASED FOR PUBLICATION
 © COPYRIGHT 19 BY AMP INCORPORATED. ALL RIGHTS RESERVED.

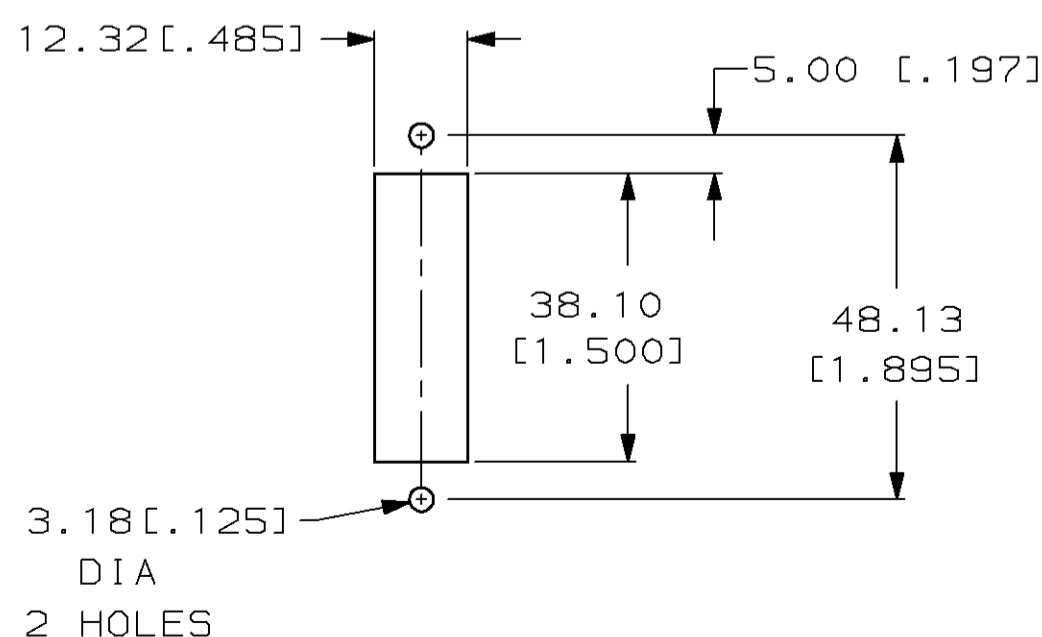
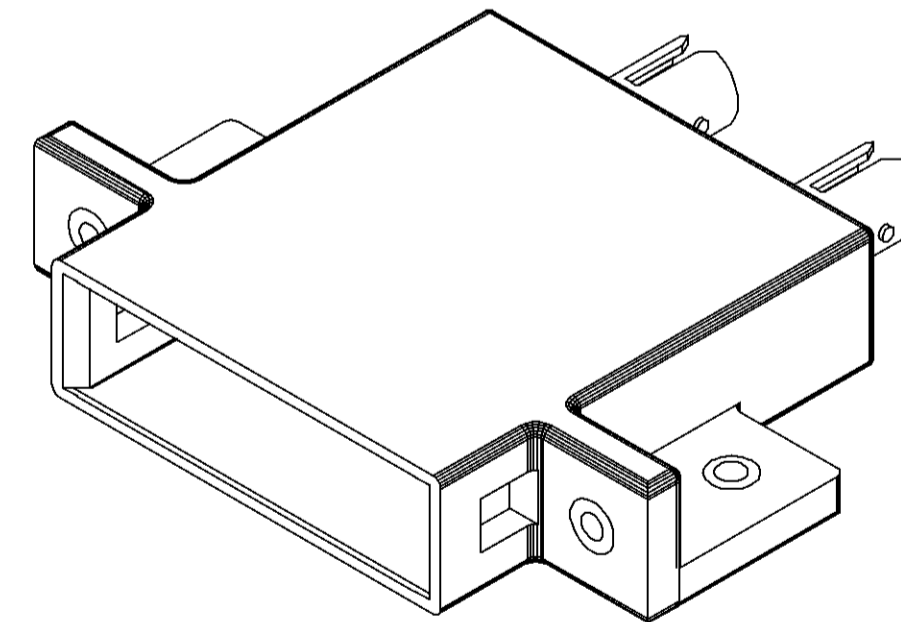
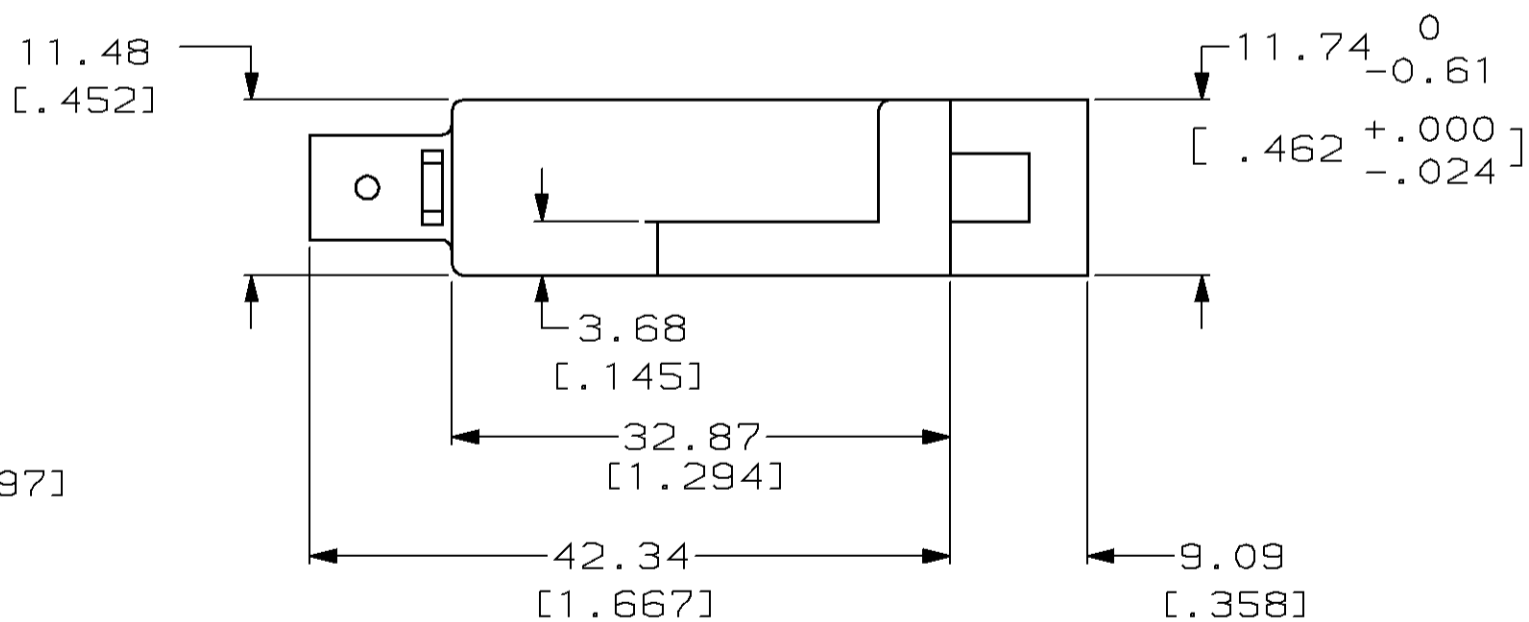
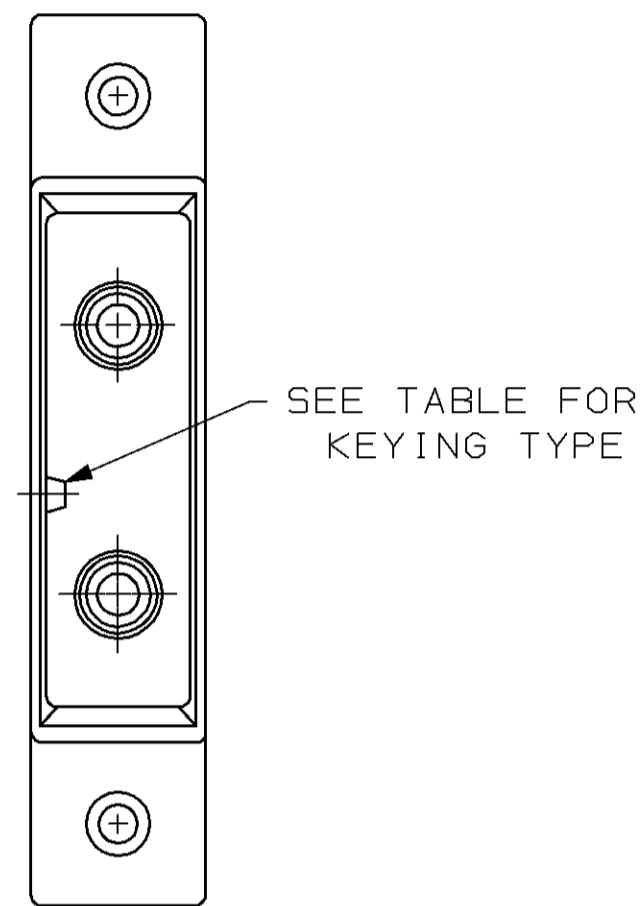
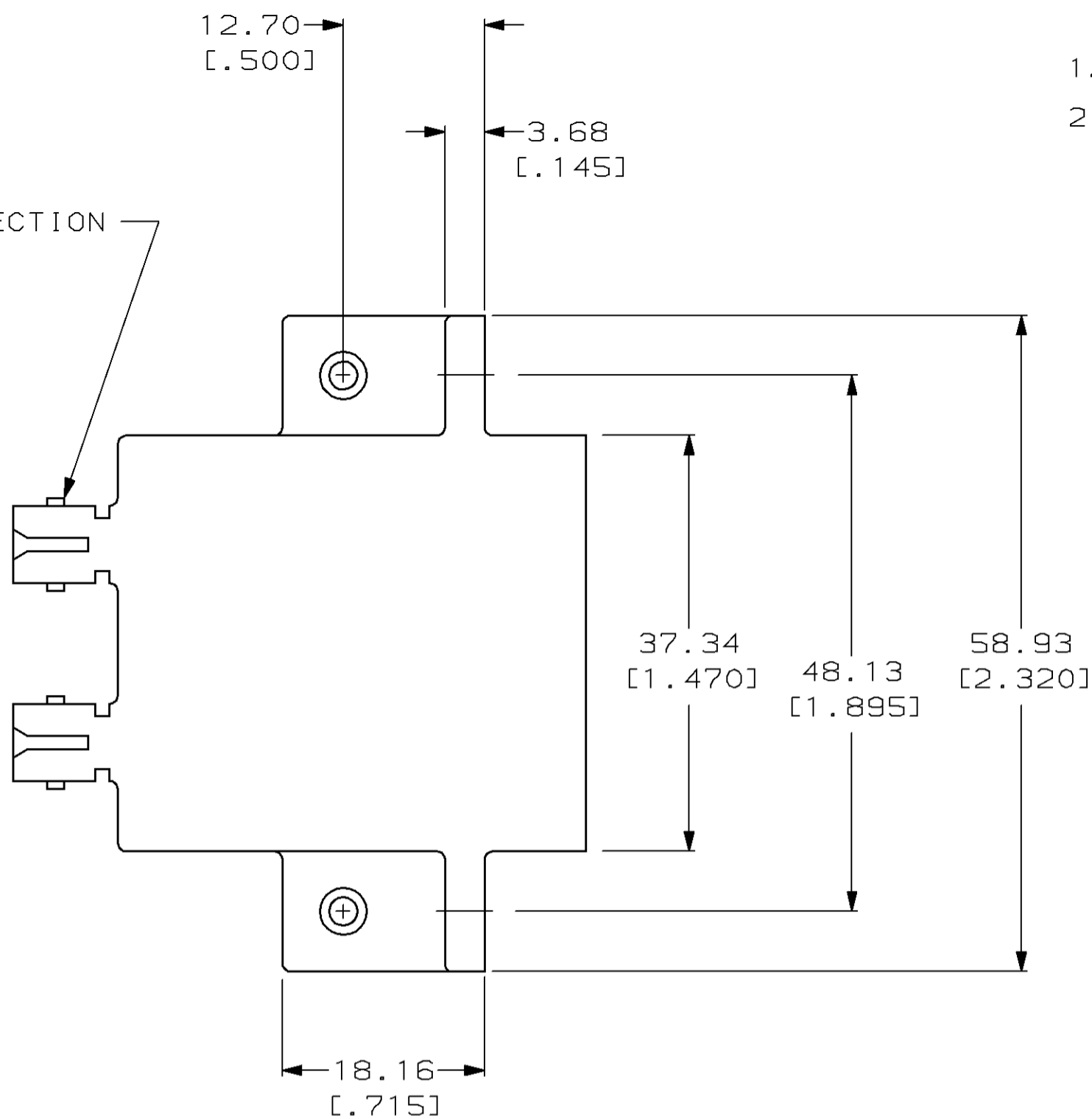
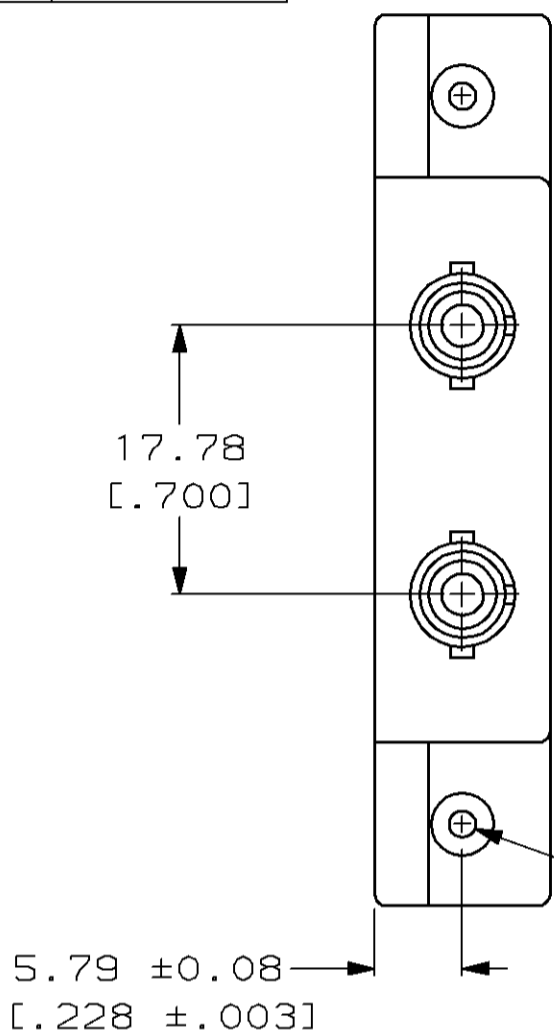
Loc		DIST		REVISIONS			
P	LTR	DESCRIPTION		DATE	DWN	APVD	
CE	16	H	REVISED PER EC 0A00-0525-96	25APR97	TG	KM	

PART NUMBER	KEYING TYPE
501933-1	A
501933-2	B
501933-3	M
501933-4	S
501933-5	A
501933-6	B
501933-7	M
501933-8	S

SUPERSEDED BY 501933-1
 SUPERSEDED BY 501933-2
 SUPERSEDED BY 501933-3
 SUPERSEDED BY 501933-4

1. DIMENSIONS IN [] ARE IN INCHES
2. THREADED INSERTS INSTALLED IN BOTH PANEL AND BOARD MOUNTING EARS.

2.5mm BAYONET CONNECTION



SUGGESTED MOUNTING PATTERN

RESTRICTED RELEASE
 DRAWING MAY CHANGE WITHOUT
 CUSTOMER NOTIFICATION

THIS DRAWING IS A CONTROLLED DOCUMENT.		DWN D. KNOWLDEN 4-23-88	AMP Incorporated Harrisburg, PA 17105-3608
DIMENSIONS: mm		CHK B. BRIGGS 4-23-88	
TOLERANCES UNLESS OTHERWISE SPECIFIED:		APVD D. THOMPSON 4-23-88	NAME D. THOMPSON
0 PLC ±	1 PLC ±	PRODUCT SPEC	PLASTIC FSD TO 2.5mm BAYONET ASSEMBLY, WITH M3 THD INSERTS, AMP FSD
2 PLC ±0.13 [.005]	3 PLC ±	APPLICATION SPEC	SIZE CAGE CODE DRAWING NO RESTRICTED TO
4 PLC ±	ANGLES ±	WEIGHT	A2 00779 C-501933
MATERIAL PBT MOLDING COMPOUND	FINISH -	CUSTOMER DRAWING	SCALE 2:1 SHEET 1 OF 1 REV H